

SIARDO 400R

Stool bench solar

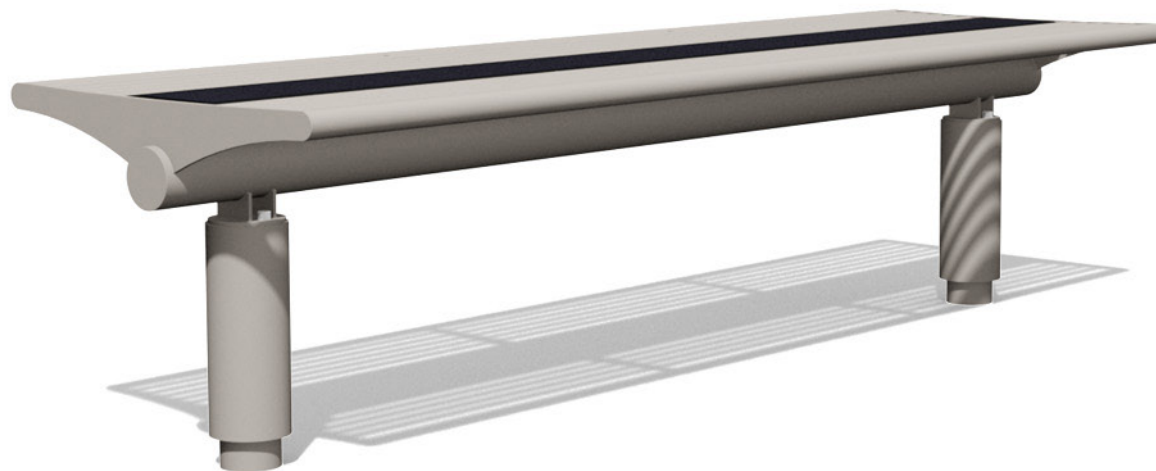
BENKERTBÄNKE



SIARDO 400R

Stool bench solar

BENKERTBÄNKE



SIARDO 400R

Stool bench solar

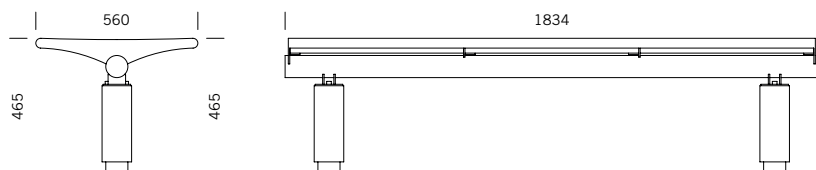
BENKERTBÄNKE

GROUND ANCHOR

1. Concrete-in, installation depth 400 mm
2. Bolt-on, installation depth 80 mm
3. Take-out, installation depth 320mm

DIMENSIONS

Length:	1834 mm
Width:	560 mm
Height:	465 mm
Seat height:	465 mm
Weight:	ca. 60 kg



FRAME

Stainless steel type 304 | powder-coated

SEAT

Stainless steel type 304 | round tubes Ø16mm

SOLARPANEL



Length:	1800 mm
Width:	152 mm
Height:	44 mm
Weight:	11 kg

- Solar panel with 48W
- LED lighting
- Lithium-ion battery with 20Ah
- Integrated MPPT charge controller adjusts the input voltage of the solar panel so that it can deliver maximum power
- 2 wireless chargers for inductive charging (Qi standard)
- Active cooling system with two fans
- Automatic lighting in the dark
- On/off switch for manual operation when required

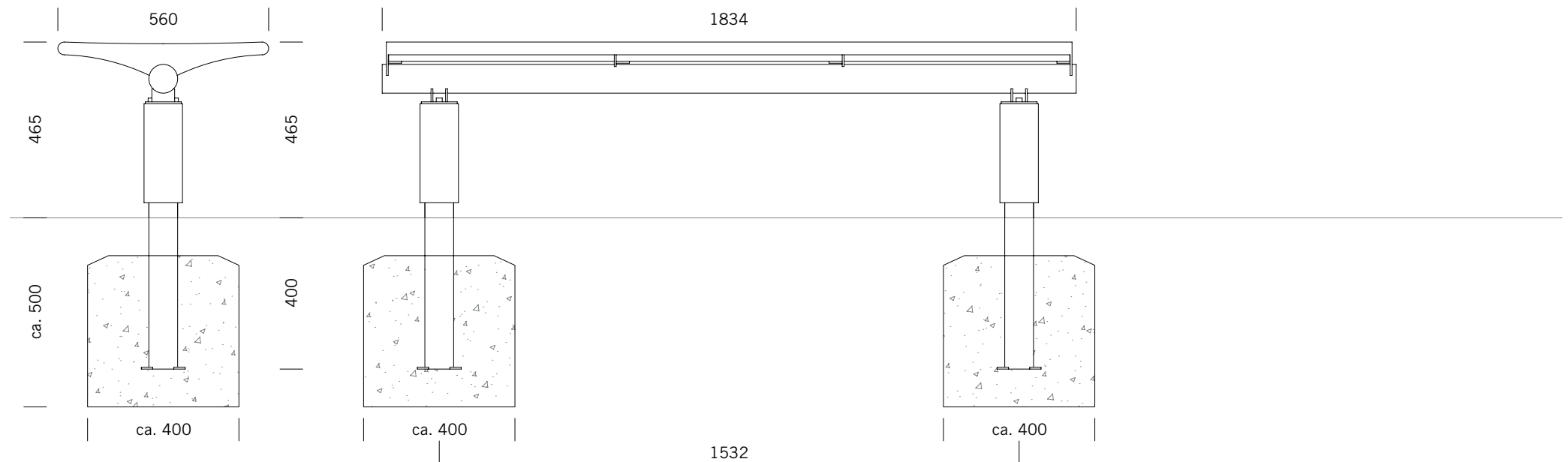


SIARDO 400R

Stool bench solar

BENKERTBÄNKE

GROUND ANCHOR CONCRETE-IN, INSTALLATION DEPTH 400 MM



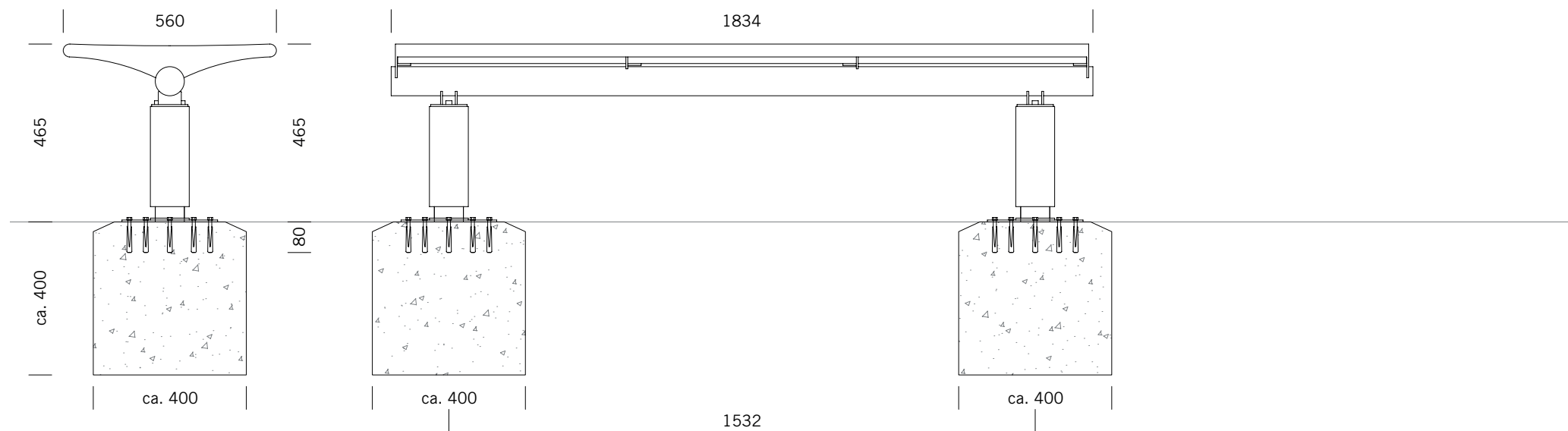
Foundations depend on local conditions - This is only a suggestion without warranty

SIARDO 400R

Stool bench solar

BENKERTBÄNKE

GROUND ANCHOR BOLT-ON, INSTALLATION DEPTH 80 MM



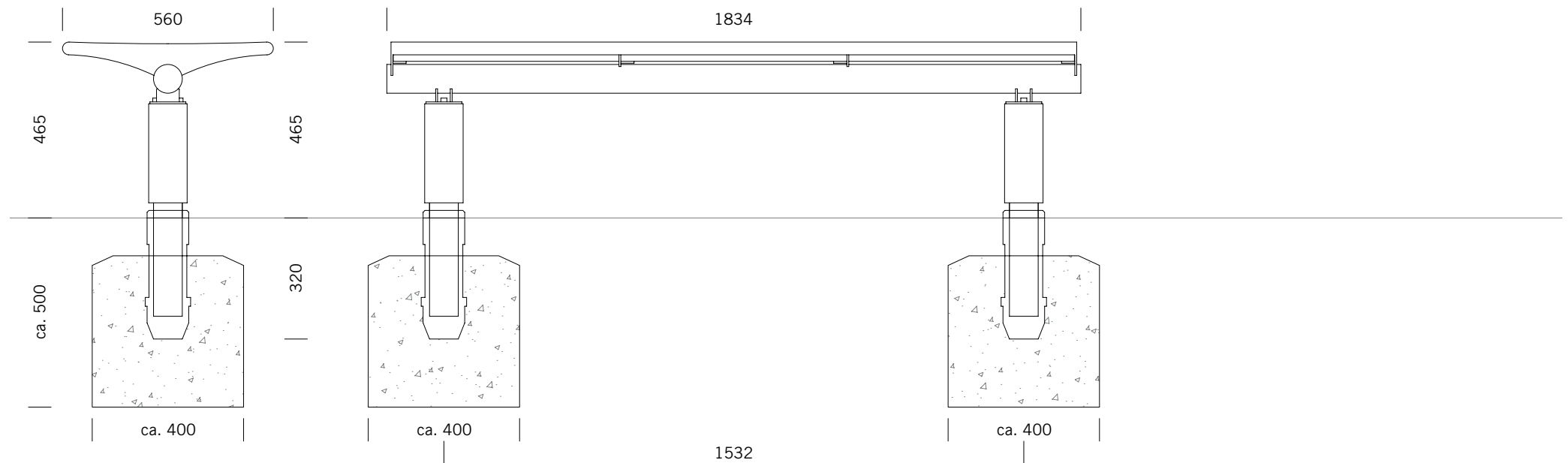
Foundations depend on local conditions - This is only a suggestion without warranty

SIARDO 400R

Stool bench solar

BENKERTBÄNKE

GROUND ANCHOR TAKE-OUT, INSTALLATION DEPTH 320MM



Foundations depend on local conditions - This is only a suggestion without warranty