

LITTER BIN 120

Flat top or roof top - with or without ashtray

BENKERTBÄNKE



LITTER BIN 120

Flat top or roof top - with or without ashtray

BENKERTBÄNKE

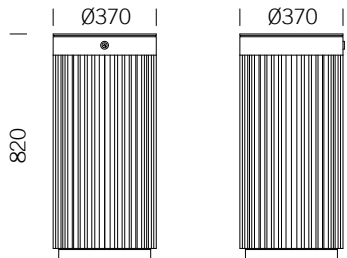


LITTER BIN 120

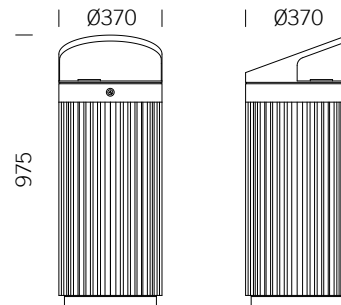
Flat top or roof top - with or without ashtray

BENKERTBÄNKE

Flat top



Roof top



GROUND ANCHOR

1. Concrete-in, installation depth 250 mm
2. Bolt-on, installation depth 80 mm

DIMENSIONS

Ø:	370 mm
Height:	820 mm
Capacity:	50 L
Weight:	30 / 35 kg

FRAME

Stainless steel type 304 | powder-coated

LINER

Ashtray capacity: approx. 1.5 litres
Material: Stainless steel type 304 | blank



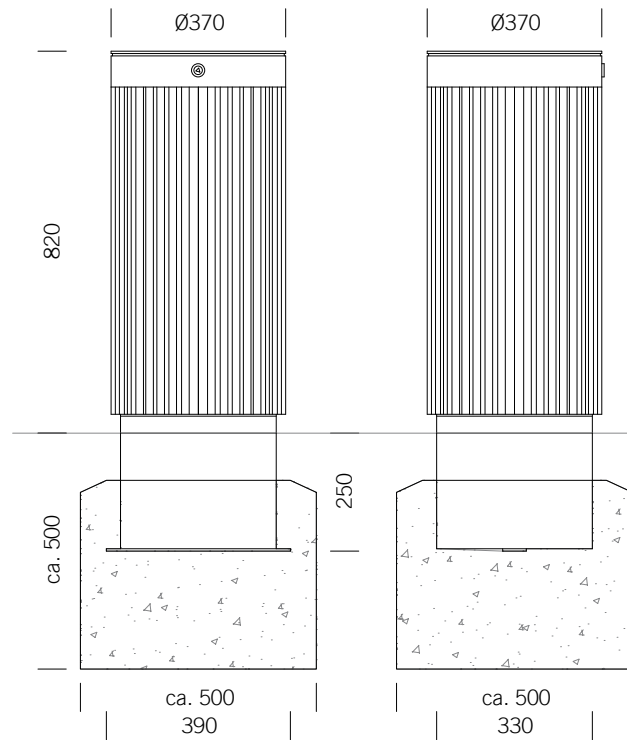
LITTER BIN 120

Flat top or roof top - with or without ashtray

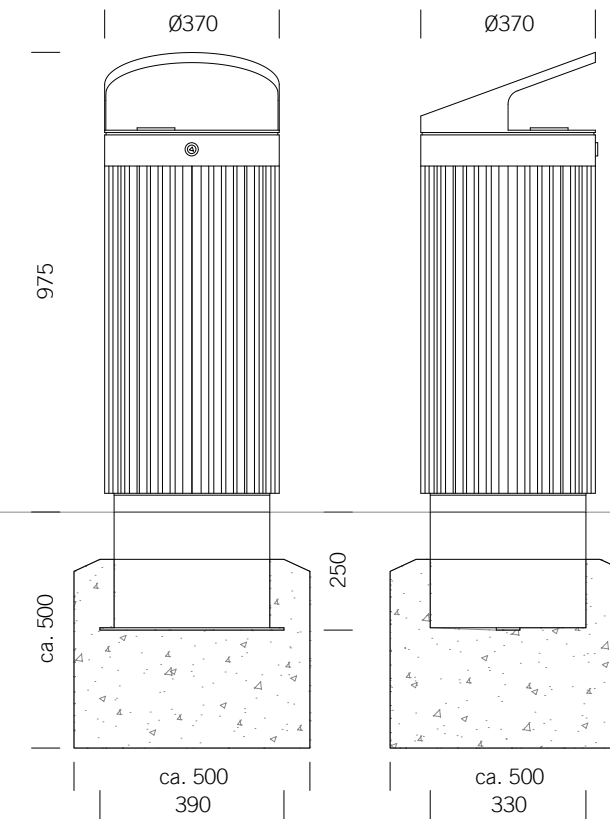
BENKERTBÄNKE

GROUND ANCHOR CONCRETE-IN, INSTALLATION DEPTH 250 MM

Flat top



Roof top



Foundations depend on local conditions - This is only a suggestion without warranty

LITTER BIN 120

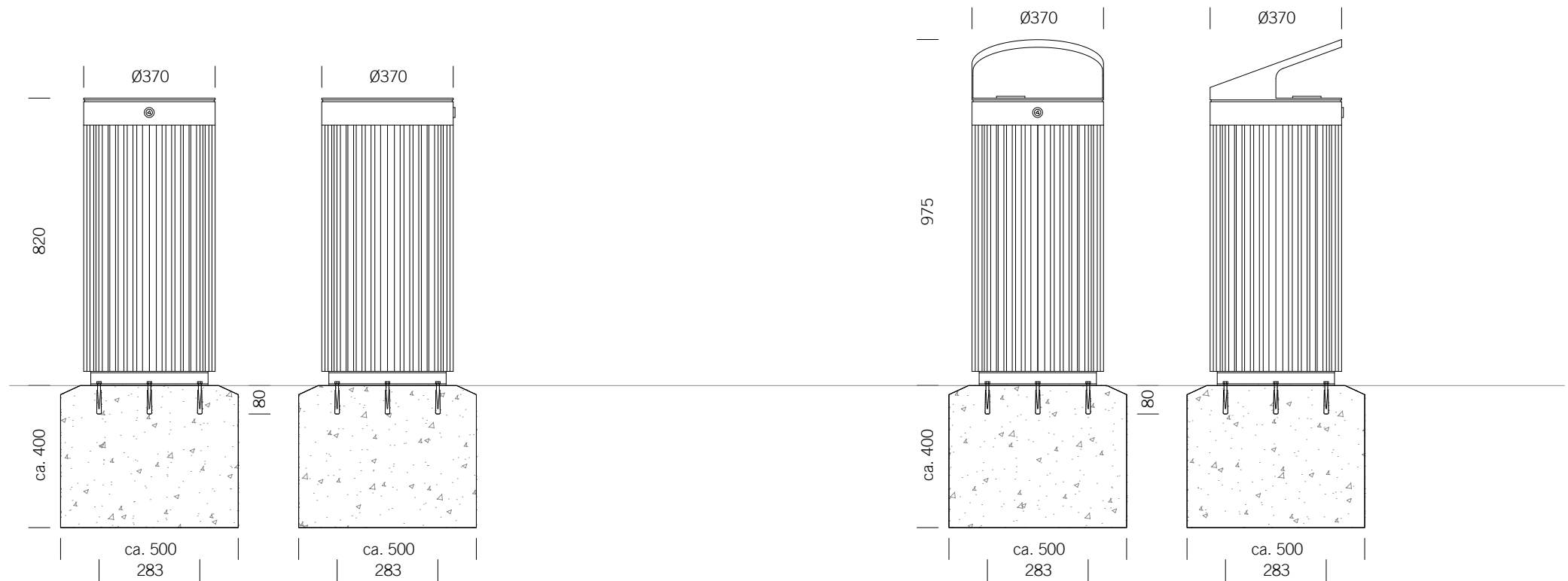
Flat top or roof top - with or without ashtray

BENKERTBÄNKE

GROUND ANCHOR BOLT-ON, INSTALLATION DEPTH 80 MM

Flat top

Roof top



Foundations depend on local conditions - This is only a suggestion without warranty