

CHALIDOR 500

Stool bench 1825

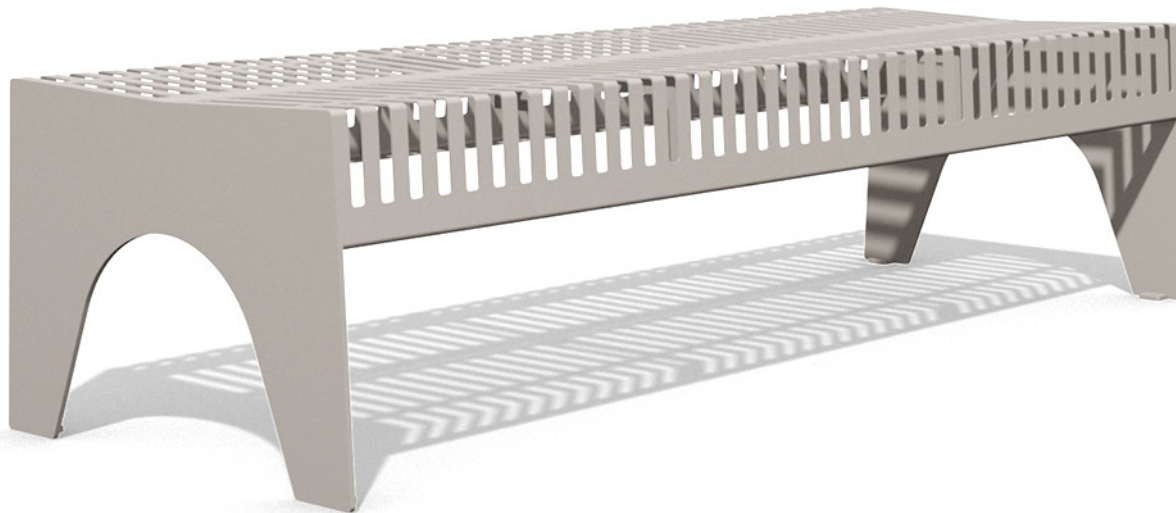
BENKERTBÄNKE



CHALIDOR 500

Stool bench 1825

BENKERTBÄNKE



CHALIDOR 500

Stool bench 1825

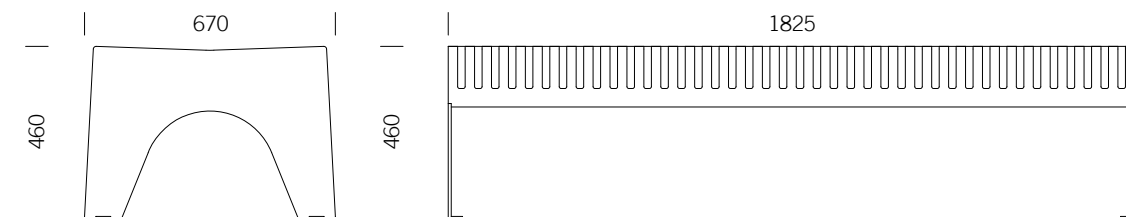
BENKERTBÄNKE

GROUND ANCHOR

1. Concrete-in, installation depth 250 mm
2. Bolt-on, installation depth 80 mm

DIMENSIONS

Length:	1825 mm
Width:	670 mm
Height:	460 mm
Seat height:	460 mm
Weight:	55 kg



FRAME

Stainless steel type 304 | powder-coated

SEAT

Stainless steel type 304 | perforated plate

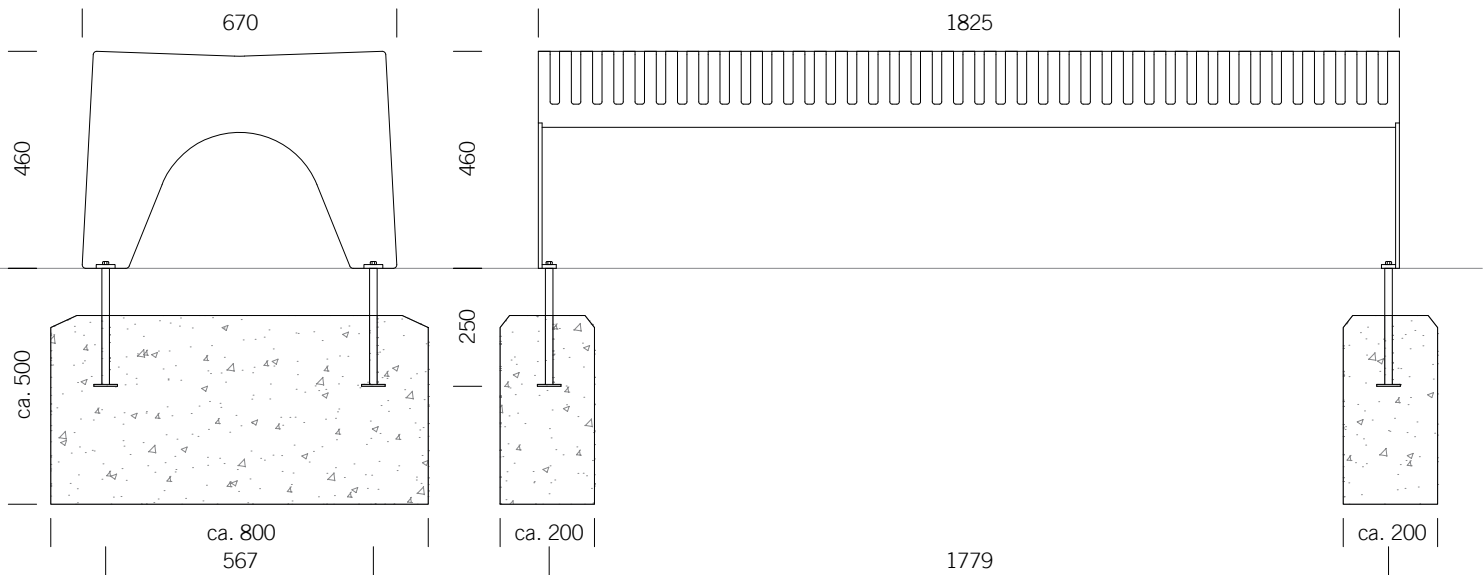


CHALIDOR 500

Stool bench 1825

BENKERTBÄNKE

GROUND ANCHOR CONCRETE-IN, INSTALLATION DEPTH 250 MM



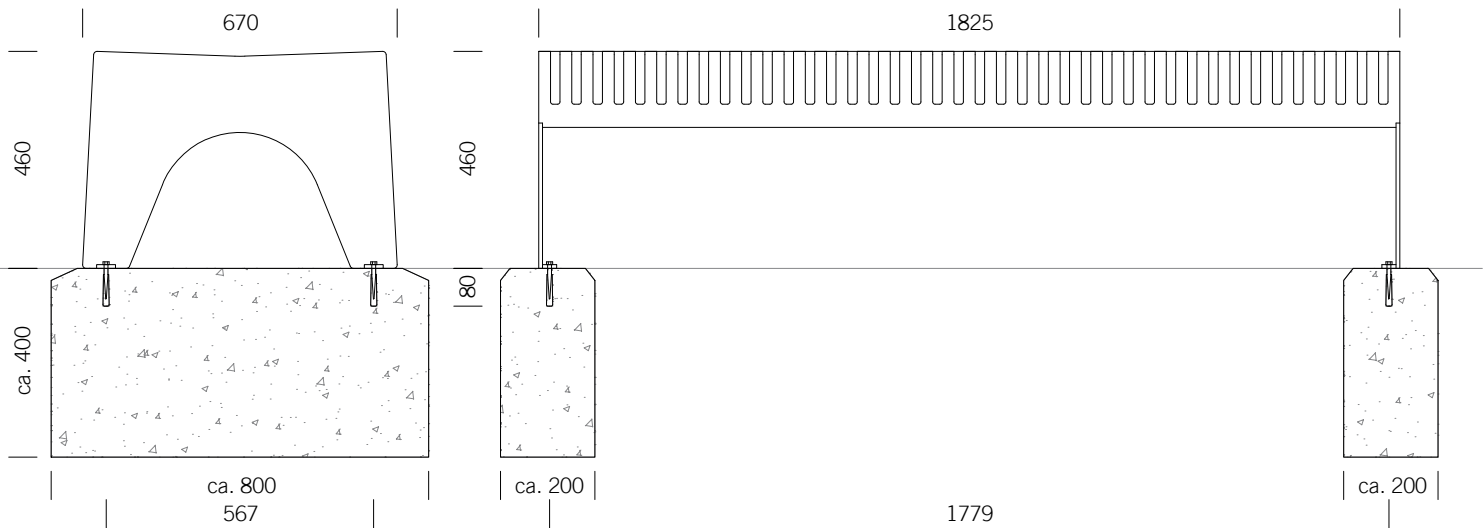
Foundations depend on local conditions - This is only a suggestion without warranty

CHALIDOR 500

Stool bench 1825

BENKERTBÄNKE

GROUND ANCHOR BOLT-ON, INSTALLATION DEPTH 80 MM



Foundations depend on local conditions - This is only a suggestion without warranty